

Location: _____

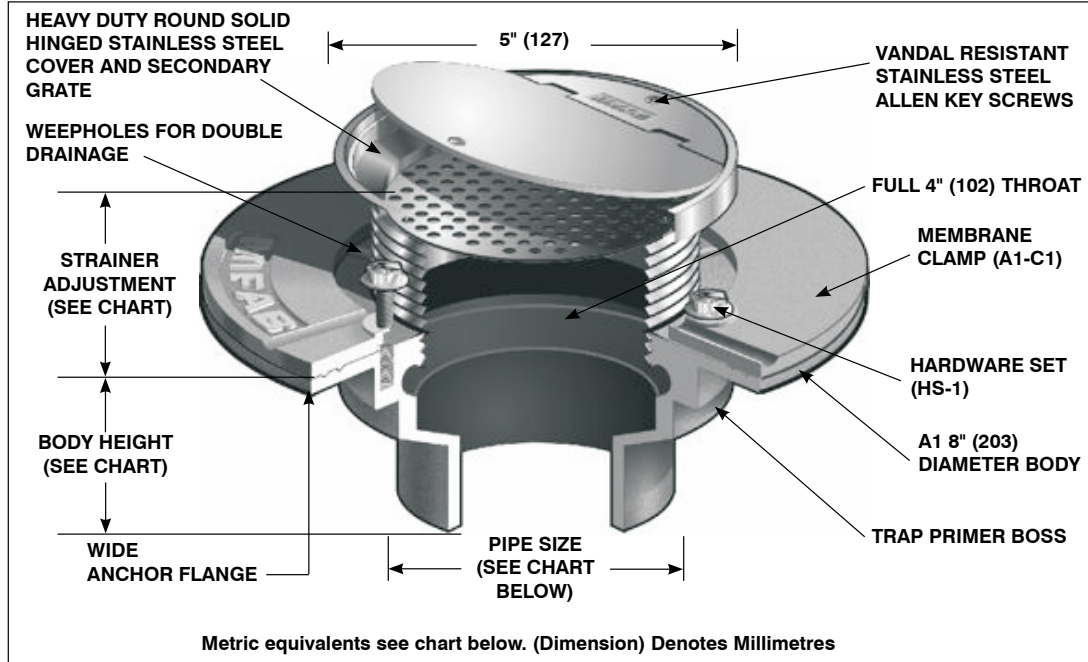


F1100-C-VD

FLOOR DRAIN WITH SOLID HINGED ROUND COVER AND SECONDARY GRATE FOR MEMBRANE FLOOR AREAS

Specification: MIFAB® Series F1100-C-VD5-3 lacquered cast iron floor drain with anchor flange, weepholes, and stainless steel solid cover with secondary grate to prevent entry of debris. (For non-membrane floors, use MIFAB F1100-VD Series.)

Function: Used in membrane finished areas where irregular drain use is required. Stainless steel solid cover prevents entry of debris which is brushed away before cover is opened for hosedown. The stainless steel secondary strainer prevents debris from entering the drain. Used for all types of poured finished floors.



PARTS:



A1 BODY



MEMBRANE CLAMP (A1-C1)

VD5-3



A1-C1



HS-1

F1100-C-VD Series meets ANSI-ASME floor drain standard A112.6.3-2001

STRAINER SIZE	STRAINER ADJUSTMENT		ANSI/ASME RATING		PIPE SIZE	BODY HEIGHT				
	MIN	MAX	FREE AREA	LOAD RATING S.S. (-3)		NO HUB (STANDARD)	PUSH ON (P)	THREADED (T)	INSIDE CAULK (X)	PVC/ABS (-30)/(-31)
5" (127)	1/2" (13)	1 1/2" (38)	8 in ² (5200 ²)	5000-7499 LBS.	2" (51)	3" (76)	3 3/8" (86)	2 1/4" (57)	3 3/4" (95)	2 15/16" (75)
					3" (76)	3" (76)	3 3/8" (86)	2 5/8" (67)	3 3/4" (95)	3 3/4" (95)
					4" (102)	3" (76)	3 3/8" (86)	2 5/8" (67)	3 3/4" (95)	3 3/4" (95)
					5" (127)	3" (76)	--	2 5/8" (67)	3 3/4" (95)	--
					6" (152)	3 1/4" (83)	6 1/2" (165)	--	--	--

- SUFFIX OPTIONAL VARIATIONS**
- 3 Stainless steel strainer (veneer for 9")
 - 5 Sediment bucket
 - 6 Security screws (T-20 Torx & pin)
 - 7 1/2" trap seal primer connection
 - 8 Backwater valve (2", 3", 4")
 - 11 Acid resistant epoxy coated body
 - 13 Galvanized body
 - 15 Extension
 - 21 Secondary flat stainless steel strainer (2", 3", 4")
 - 28 Stainless steel body (Type 304)
 - 30 PVC socket connection body
 - 31 ABS socket connection body
 - 34 Closure plug
 - 40 Underdeck clamp
 - 41 Sump receiver
 - 49 Chrome Plated Strainer Assembly

- SUFFIX OPTIONAL VARIATIONS**
- 90 Threaded side outlet (2", 3", 4") (cast iron only)
 - 90NH No hub side outlet (2", 3", 4") (cast iron only)
 - 95 Client logo
 - BA Minimum 51% material cost made in the USA
 - C2 High rough-in membrane clamp (min. 1 9/16" (40))
 - F4 4" Round funnel
 - F6 6" Round funnel
 - G Oval 4" x 9" funnel
 - J 6" x 3" x 1" funnel
 - (Standard) No hub outlet
 - MG MI-GARD Floor Drain Trap Sealer (2", 3" or 4")
 - P Push on outlet
 - PA Pennsylvania Steel Act compliant product
 - T Threaded outlet (2", 3", 4")
 - X Inside caulk outlet
 - Z Extended wide elastomeric flange

CALIFORNIA PROPOSITION 65 WARNING. This product contains chemicals known to the State of California to cause cancer and birth defects or other reproductive harm.

Job Name: _____ Page No: _____

Section No: _____ Contractor: _____

Schedule No: _____ Purchase Order No: _____